



Drago America  
www.dragoamerica.com

Project Name: \_\_\_\_\_

Location: \_\_\_\_\_

Item #: \_\_\_\_\_ Qty: \_\_\_\_\_

Model #: \_\_\_\_\_

SIA #

AIA #

Model:  
DRBB48GH

## Coolers - Glass Door Hinged Back Bar Cooler

2 glass door 11 ft<sup>3</sup>



### Features & Benefits

#### Strong & Durable Structure

- Stainless steel top, interior walls, floor and ceiling.
- Corrosion resistant vinyl on steel in black finish.

#### Temperature

- Temperature range 33°F~40°F (0°C~4°C).

#### User Friendly Features

- Self-closing solid doors with locks.
- Option of stainless steel exterior available.
- LED interior lighting.
- Adjustable heavy duty PVC coated shelves.
- Easy access to condenser coil for cleaning and service.
- Easy adjust temperature set point and defrost frequency.

**Pre-installed heavy-duty casters with brakes.**

**Refrigerant R290.**



### Certifications



Doors	Shelves	HP	AMPS	Crated Weight	Dimensions (inches)		
					W	D	H
2	4	3/7	2.88	242.5 Lb (110 Kg)	48.8" (1240 mm)	24.4" (620 mm)	35.6" (905 mm)

Packaging dimensions (mm): W 51" (1300) x D 27.5" (700) x H 42" (1060)

Approvals:

Available At:

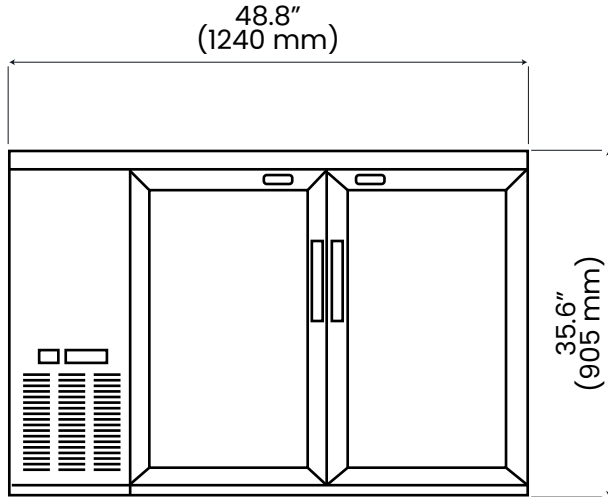
Model:  
DRBB48GH

## Coolers - Glass Door Hinged Back Bar Cooler

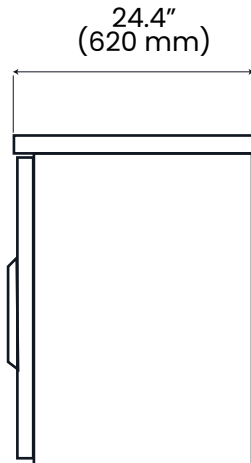
2 glass door 11 ft<sup>3</sup>



Front View



Side View



### Electric Data

Electric Data	
Voltage	115/60/1
Plug Type	NEMA 5-15P
Compressor HP	3/7
Refrigerant	R290

### Dimensional Data

Dimensional Data	
Capacity - cu. ft.	11 ft <sup>3</sup> (318 liters)
Net Weight - Lbs.	231 Lbs. (105 Kg)

- Slight Variations May Exist



Drago America  
www.dragoamerica.com  
(346) 374-8343  
9777 W. Gulf Bank Road Suite 200, Houston, Texas 77040