



Drago America
www.dragoamerica.com

Project Name: _____

Location: _____

Item #: _____ Qty: _____

Model #: _____

SIA #

AIA #

Model:
DRSP48-18M

Prep Tables – Megatop Sandwich Prep Table

2 solid doors 13 ft³



Features & Benefits

Strong & Durable Structure

- Stainless steel interior and exterior, aluminum back.

Temperature

- Temperature range 33°F~40°F (0°C~4°C).

User Friendly Features

- Self-closing doors with 90 degree stay-open feature.
- Adjustable heavy duty PVC coated shelves.
- Easy access to condenser coil for cleaning and service.
- Easy adjust temperature set point and defrost frequency.

Pre-installed heavy-duty casters with brakes.

Refrigerant R290.



Certifications



Doors	Shelves	Pans	Pans Size	HP	AMPS	Crated Weight	Dimensions (inches)		
							W	D	H
2	2	18	1/6	1/2	4.9	302 lb (137 Kg)	46.8" (1188 mm)	34" (864 mm)	45.1" (1146 mm)

Packaging dimensions: W 51.9" (1320 mm) x D 39.1" (995 mm) x H 49.1" (1248 mm).

Approvals:

Available At:

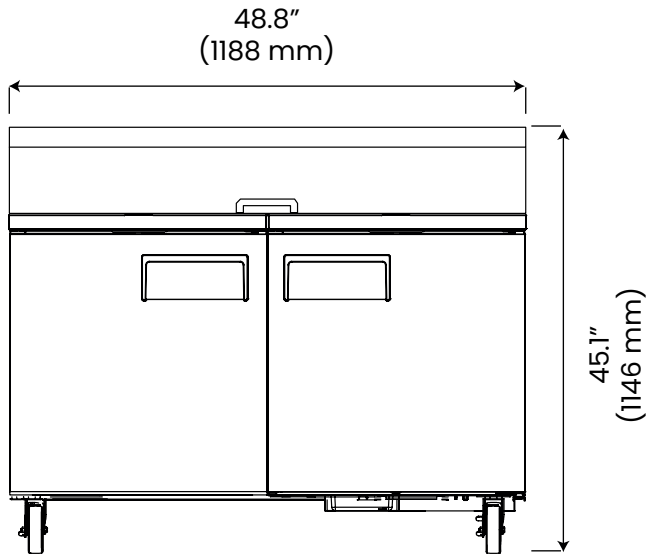
Model:
DRSP48-18M

Prep Tables – Megatop Sandwich Prep Table

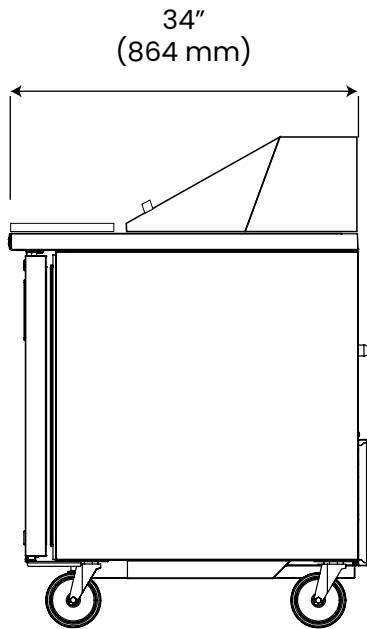
2 solid doors 13 ft³



Front View



Side View



Electric Data

Electric Data	
Voltage	115/60/1
Plug Type	NEMA 5-15P
Compressor HP	1/2
Refrigerant	R290

Dimensional Data

Dimensional Data	
Capacity - cu. ft.	13 ft ³ (357 liters)
Net Weight - Lbs.	275 Lbs. (125 Kg)

- Slight Variations May Exist



Drago America
www.dragoamerica.com
(346) 374-8343
9777 W. Gulf Bank Road Suite 200, Houston, Texas 77040